

DA LI HAO

2500T Derrick Barge



GENERAL SPECIFICATION

General Particulars

Owner	Hucai Shipping
Operator	Swiber Offshore Construction Pte Ltd
Year Build	1980
Flag / Port of Registry	Liberia/Monrovia
Class	Indian Registry of Shipping (IRS)
GRT / NRT	11706 Tons / 3512 Tons

Principal Dimensions

Length Overall	328.1 ft (100.00m)
Width	124.7 ft (38.00m)
Depth	9.00m
Towing Draft	3.51m
Operating	5.2m (average), 6.89m (max. when 2500T load)
Displacement	12127T (when sail), 18786T (when 2500T load)

Main Crane

Main Crane Make	IHI
Type	Pedestal Crane
Boom Length	56m (to main hook) + 6.77m (to Aux. hook) + 9.865m

Lifting Capabilities

- Main (Fixed)	2500MT (R=35m - 45m, to center), 920MT (R=64m)
- Main (Revolving)	500MT (R=35m)
- Auxiliary	200MT (R=38.7m - 56.3m), 80MT (R=70.8m)
- Whip	20MT

Helideck

Super Puma / S61

Auxiliary Crane

Type	Pedestal (1 no.)
Capacity	10MT
Crawler (optional)	180 MT

Anchor and Mooring System

Anchors Type	8 x 7T Flipper Delta Anchor
Winches Type	Central Control
Winches Capacity	30 MT
Wire Size	52mm Diameter
Length	1000m

Deck Loading Capacity

Working Deck Area	1000 M2
Deck Load	500MT
Thrusters	IHI Duckpeller, DP25, 1000HP x 750 RPM (2 sets)

Auxiliary Equipment

Main Generators	1200kW x 2, 470kW x 2, 300kW x 1
Compressors	900 CFM
Life Raft	472 Persons Capacity
Rescue Boat	Two FRP boats on both sides fitted With diesel engine
Fire Fighting Equipment	Electrical Fire Pump-02, Diesel driven Engine pump-1, fire extinguishers – 14 x 9LT H2O & 24 x 5LT CO2
Water Sprinkler System	Available

Accommodation

Compliments	Nos. 236 men
-------------	-----------------

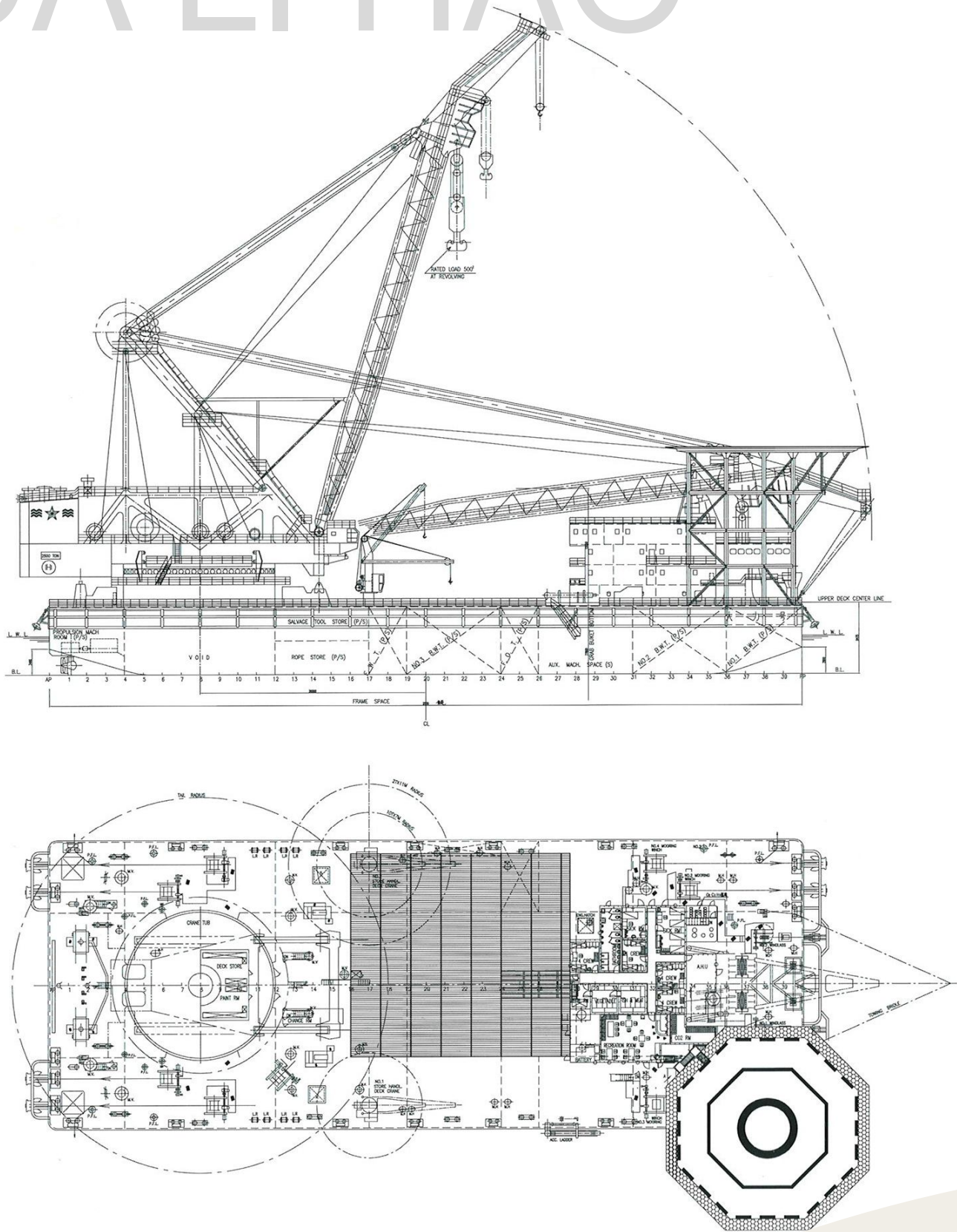
Tanks

Fuel Oil	Capacity 704 Tons
Fresh Water	848 Tons
Ballast Water	6648.8 Tons

Equipments

Freshwater Maker	1 x 15TPD R.O. Plant 1 x 60 TPD R.O. Plant
Sewage Treatment	Two (2) IMO approved Sewage Treatment Plant

DALIHAO



Swiber Offshore Construction Pte Ltd

12 International Business Park, Cyberhub@IBP #04-01/04, Singapore 609920

Tel: +65 65050 800 | Fax: +65 65050 801 | Email: marketing@swiber.com | Website: www.swiber.com